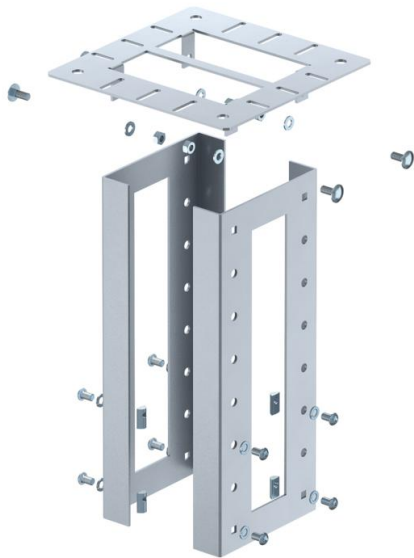


Technical data sheet

Ceiling fastening for service poles

Item number: 6290436



Ceiling fastening for fixing the ISS service pole to the ceiling. The scope of delivery comprises of two U-shaped profiles made from 3 mm sheet steel, the fastening plate for the ceiling and the required installation accessories, including the groove rail. The ceiling fastening can be height-adjusted on the pole profile.



St Steel

Master data

Item number	6290436
Type	ISS160160DB WA
Description 1	Ceiling fastening
Description 2	for install. column, industry
Manufacturer	OBO
Dimension	403x250x250
Colour	White aluminium; RAL 9006
Material	Steel
Smallest sales unit	1
Unit of quantity	Piece
Weight	443.6 kg
Weight unit	kg/100 pc.

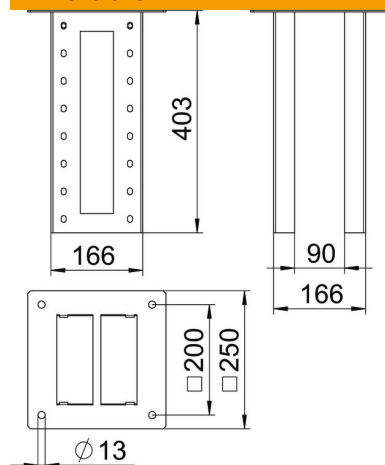
Technical data sheet

Ceiling fastening for service poles

Item number: 6290436



Dimensions



Length	403 mm
Width	250 mm
Height	250 mm

Technical data

Fastening type	Bolts
Halogen-free	yes
Protection rating	IP30
Protection rating IK code	IK10
Permitted temperature range, max.	60 °C
Permitted temperature range, min.	-25 °C