

Technical data sheet

Fastening set for GES9

Item number: 7399870



Fastening brackets for square GES9 service outlet to be mounted in in-concrete box.



St Steel

FS Strip galvanized

Master data

Item number	7399870
Type	IB BGES9
Description 1	Fastening kit for GES9
Description 2	in IBD
Manufacturer	OBO
Material	Steel
Surface	Strip galvanized
Surface standard	DIN EN 10346
Smallest sales unit	4
Unit of quantity	Piece
Weight	5 kg
Weight unit	kg/100 pc.

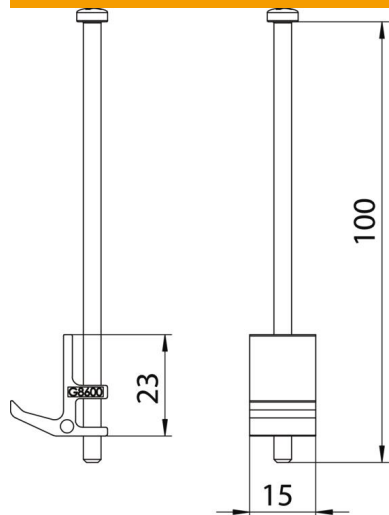
Technical data sheet

Fastening set for GES9

Item number: 7399870



Dimensions



Length	22 mm
Width	15 mm
Height	100 mm

Technical data

Type of accessory	Miscellaneous
Cover version	Square
Application area	In-concrete
Nominal size for device installation units	9
Removable cover	no