

Technical data sheet

Device support for CEE installation, system length 208 mm,
with CEE

Item number: 7407667



Device support of nominal size 3 with a CEE plug connection 16 A for installation in service outlets and cassettes of nominal sizes R7, 9 and R9. Device support with protective housing and strain relief. Required minimum installation depth: 190 mm when using a straight connector and 160 mm when an angled connector is used.



St Steel

FS Strip galvanized

Master data

Item number	7407667
Description 1	Mounting box
Description 2	with CEE16
Manufacturer	OBO
Dimension	218x75x128
Material	Steel
Surface	Strip galvanized
Surface standard	DIN EN 10346
Smallest sales unit	1
Unit of quantity	Piece
Weight	75 kg
Weight unit	kg/100 pc.

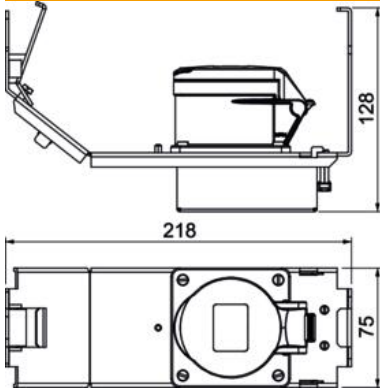
Technical data sheet

Device support for CEE installation, system length 208 mm,
with CEE

Item number: 7407667



Dimensions



Technical data

Floor plate	no
Seal installation option	no
Suitable for raised floor installation	yes
Suitable for screed-flush closed underfloor ducts	yes
Suitable for screed-covered underfloor ducts	yes
Suitable for cavity floor installation	yes
Suitable for underfloor ducts	yes