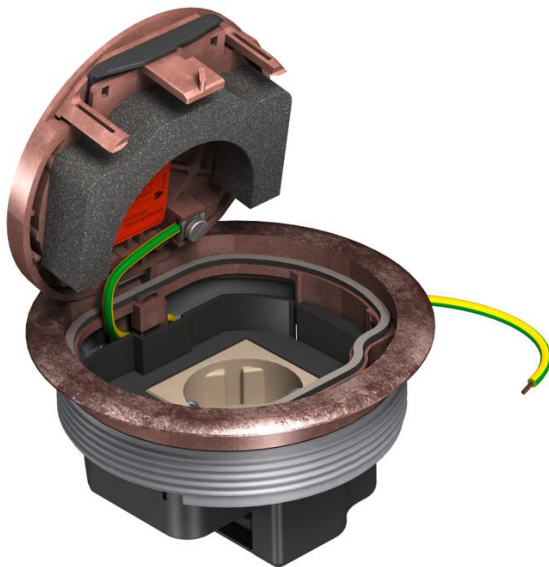


Technical data sheet

GESRM2 service outlet with protective frame for UZD/UDL,
old copper

Item number: 7405632



Round flush-mount unit with floor covering protection frame for direct installation in the connection socket UDL2-120 for indoor use.

The scope of delivery contains a white single socket 16A, switched.

When closed, the flush-mount unit can be wet-cleaned. The minimum installation depth is 70 mm.

Old copper surface.



Zn	Die-cast zinc
Cu	Copper-plated

Master data

Item number	7405632
Description 1	Service outlet
Description 2	with prot. frame, old copper
Manufacturer	OBO
Material	Die-cast zinc
Surface	Copper-plated
Surface standard	
Smallest sales unit	1
Unit of quantity	Piece
Weight	80.2 kg
Weight unit	kg/100 pc.

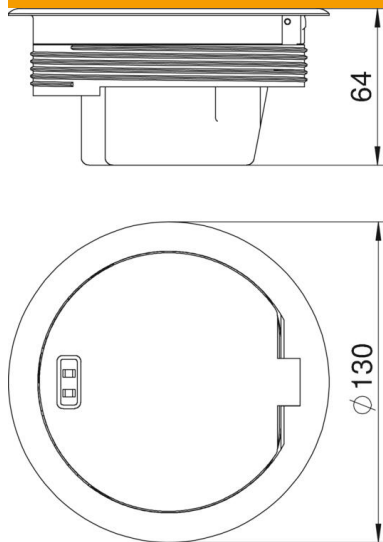
Technical data sheet

GESRM2 service outlet with protective frame for UZD/UDL,
old copper

Item number: 7405632



Dimensions



Technical data

Version for	Round
Floor covering protection frame	yes
Suitable for raised floor installation	no
Suitable for cavity floor installation	no
Suitable for wet care	yes
Suitable for underfloor ducts	yes
With floor covering recess	no