

Technical data sheet

End piece, Soft, right

Item number: 6115945



End piece for design device installation trunking of the GAD series. "Soft" design version. The end piece can only be used for closing on the right side. Standard version in anodised aluminium, different decoration on request.



Alu Aluminium

EL Anodised

Master data

| | |
|---------------------|-------------------------------|
| Item number | 6115945 |
| Type | GAD ER Soft EL |
| Description 1 | End piece, Design duct, right |
| Description 2 | Design Soft |
| Manufacturer | OBO |
| Dimension | 126x140x37 |
| Material | Aluminium |
| Surface | Anodised |
| Surface standard | |
| Smallest sales unit | 1 |
| Unit of quantity | Piece |
| Weight | 15.6 kg |
| Weight unit | kg/100 pc. |

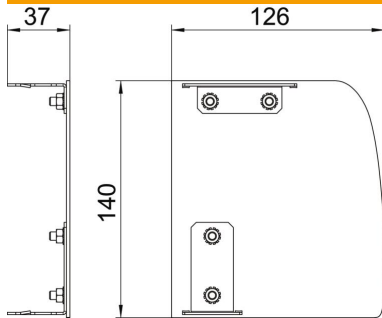
Technical data sheet

End piece, Soft, right

Item number: 6115945



Dimensions



| | |
|--------|--------|
| Length | 37 mm |
| Width | 140 mm |
| Height | 126 mm |

Technical data

| | |
|---------------------|--------------|
| Version for | Asymmetrical |
| Fastening type | Lockable |
| for duct width | 140 mm |
| for trunking height | 114 mm |
| Suitable for | Right |
| Halogen-free | yes |
| Cut lamination | no |
| Protective film | yes |