

Technical data sheet

Earthing terminal with fastening thread

Item number: 6404014



Earthing terminal for fastening the equipotential bonding wire to the cable support system. M14 threaded pin with slot. Suitable for conductor cross sections of 25 - 75 mm².



CuZn
37 Brass

Master data

Item number	6404014
Type	EKL 35 M6
Description 1	Earthing terminal
Description 2	with fastening thread M6
Manufacturer	OBO
Dimension	25-75mm ²
Material	Brass
Smallest sales unit	50
Unit of quantity	Piece
Weight	4.8 kg
Weight unit	kg/100 pc.

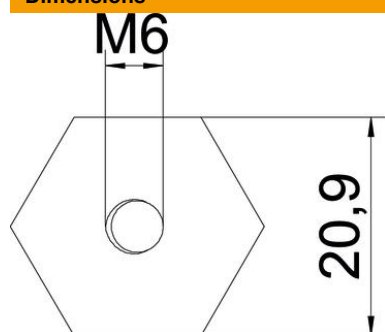
Technical data sheet

Earthing terminal with fastening thread

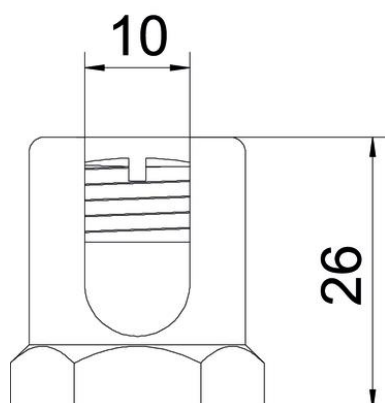
Item number: 6404014



Dimensions



Dimension L	1.02 in
Dimension L	26 mm
Dimension l	10 mm



Technical data

Maintain electrical functions	no
Suitable for mesh cable tray	no
Suitable for cable ladder	yes
Suitable for cable tray	yes
Thread	M6
With screw accessories	no
Cross-section	75 mm ²
Rustproof steel, pickled	no
WAF	21
Connection type	With pin/drill hole