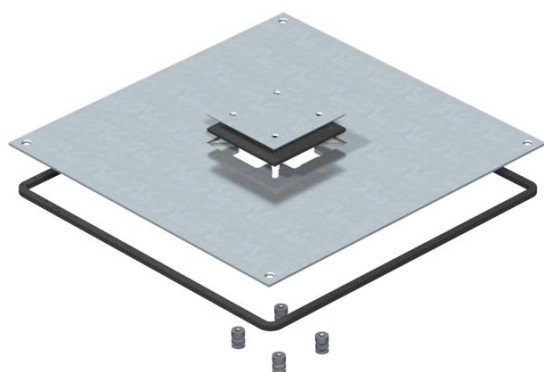


Technical data sheet

Mounting lid 350 for Telitank

Item number: 7400431



Mounting lid for underfloor junction and branch box of type UZD350-3/4 to install a Telitank. Installation opening 3 mm recessed as a later blanking lock with lid blanking plate.



St Steel

FS Strip galvanized

Master data

Item number	7400431
Type	DUF 350-3 DAT
Description 1	Mounting lid
Description 2	350-3 for Telitank
Manufacturer	OBO
Dimension	383x383x4
Material	Steel
Surface	Strip galvanized
Surface standard	DIN EN 10346
Smallest sales unit	1
Unit of quantity	Piece
Weight	455 kg
Weight unit	kg/100 pc.

Technical data sheet

Mounting lid 350 for Telitank

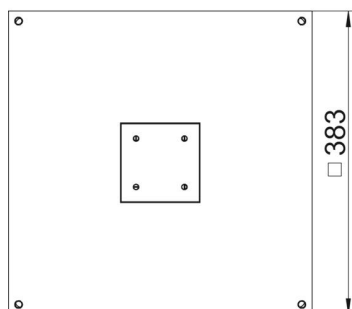
Item number: 7400431



Dimensions



Length	383 mm
Width	383 mm
Dimension a	100 mm
Dimension A	383 mm



Technical data

Mounting opening cover	yes
Floor care	Wet
Seal installation option	yes
Installation opening for on-floor tank	yes
Suitable for screed-flush closed underfloor ducts	no
Suitable for screed-covered underfloor ducts	yes
Trunking width, max.	350 mm
Trunking width, min.	190 mm
Material thickness	4 mm
Mounting opening	Square
Nominal size	350 mm
Heavy-duty version	no