

Technical data sheet

Cover for 90° vertical bend, falling, DD

Item number: 7131644



Cover for falling vertical bends of side height 60 mm.
The fastening is guaranteed by the overlap of the cable tray covers. The cover can also be fastened using cover clamps.

CE

St Steel

DD Strip galvanised zinc/aluminium, Double Dip

Master data

| | |
|---------------------|---|
| Item number | 7131644 |
| Description 1 | Cover for 90° vertical bend |
| Description 2 | falling |
| Manufacturer | OBO |
| Dimension | B400mm |
| Colour | zinc |
| Material | Steel |
| Surface | Strip galvanised zinc/aluminium, Double Dip |
| Surface standard | DIN EN 10346 |
| Smallest sales unit | 1 |
| Unit of quantity | Piece |
| Weight | 159.6 kg |
| Weight unit | kg/100 pc. |

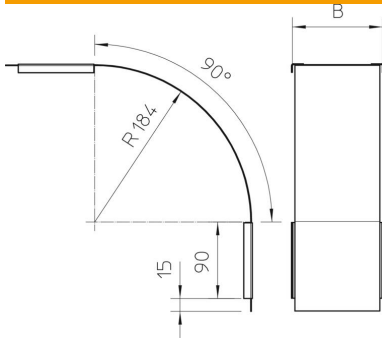
Technical data sheet

Cover for 90° vertical bend, falling, DD

Item number: 7131644



Dimensions



| | |
|-----------------|---------|
| Width | 400 mm |
| Width | 16 in |
| Height | 60 mm |
| Plate thickness | 0.03 in |
| Plate thickness | 0.75 mm |
| Dimension B | 400 mm |

Technical data

| | |
|-------------------------------|-------------------|
| Bend (angle) | 90° |
| Fastening type | Sash lock |
| Maintain electrical functions | no |
| Suitable for mesh cable tray | no |
| Suitable for cable ladder | no |
| Suitable for cable tray | yes |
| Change of direction | Vertical, falling |
| Rustproof steel, pickled | no |
| Hinged | no |