

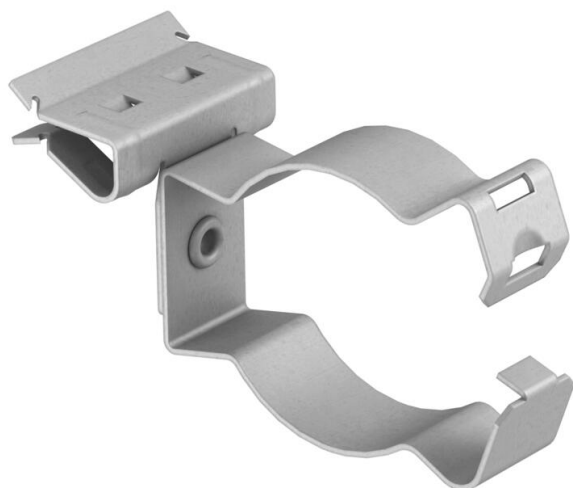
Technical data sheet

Support clamp, for pipes, closed/side

Item number: 1483717



Beam clamp for knocking in with closed pipe seat as individual fastening solution on the beam.



CE

St	Steel
ZL	Zinc slat

Master data

Item number	1483717
Type	BCHPC 14-20 D40
Description 1	Beam clamp
Description 2	with pipe clamp 36-40mm
Manufacturer	OBO
Dimension	14-20mm
Material	Steel
Surface	Zinc slat
Surface standard	
Smallest sales unit	50
Unit of quantity	Piece
Weight	5.6 kg
Weight unit	kg/100 pc.

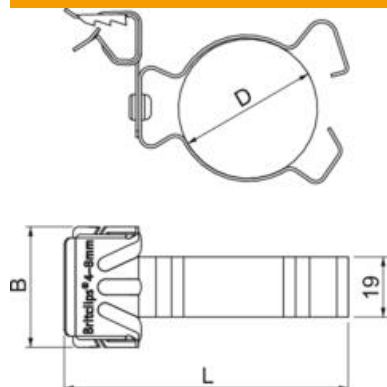
Technical data sheet

Support clamp, for pipes, closed/side

Item number: 1483717



Dimensions



Technical data

Connection type/component	Pipe/cable
Fastening type	Clamp
Breaking load	0.45 kN
Flange thickness F max.	20 mm
Flange thickness F min.	14 mm
Pipe/cable diameter, max.	40 mm
Pipe/cable diameter, min.	36 mm
Hinge, adjustable	no
Hinged	no