

Technical data sheet

Hammer-head bolt ZL

Item number: 1148072



Hammer-head bolt for use with CM3015, CM3518 and AM3518 profile rails



St Steel

ZL Zinc slat

Master data

Item number	1148072
Description 1	Hammerhead screw
Description 2	for profile rails, medium
Manufacturer	OBO
Dimension	M10x60mm
Material	Steel
Surface	Zinc slat
Surface standard	
Smallest sales unit	25
Unit of quantity	Piece
Weight	6.75 kg
Weight unit	kg/100 pc.
CO Footprint (GWP) Cradle-to-Gate	0,0074 kg COe / 1 Piece

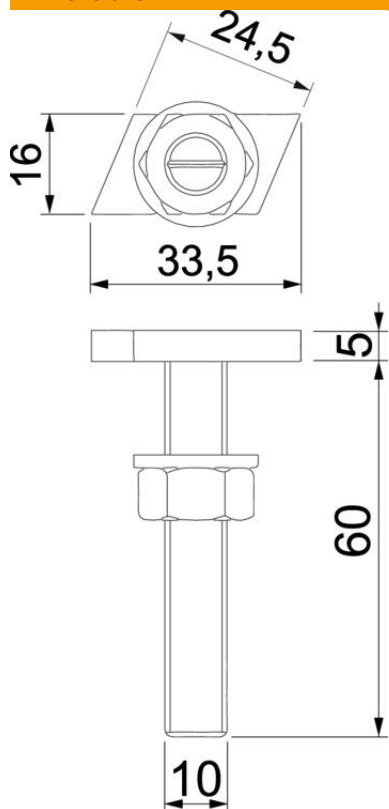
Technical data sheet

Hammer-head bolt ZL

Item number: 1148072



Dimensions



Length	33.5 mm
Width	16 mm
Height	6 mm
Dimension L	60 mm

Technical data

Suitable for mounting rail	yes
Thread	M 10 x 60mm
Thread metric	10