

Technical data sheet

Ceiling hook

Item number: 3450120



Ceiling hook with rolled wood screw thread.



St Steel

G Electrogalvanized

Master data

Item number	3450120
Type	915 4.3x120 G
Description 1	Ceiling hook
Description 2	with wood screw thread
Manufacturer	OBO
Dimension	4,2x120mm
Material	Steel
Surface	Electrogalvanized
Surface standard	EN ISO 19598 / EN ISO 4042
Smallest sales unit	100
Unit of quantity	Piece
Weight	1.662 kg
Weight unit	kg/100 pc.

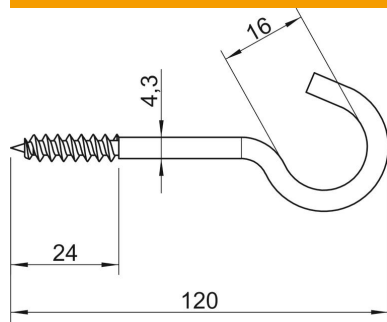
Technical data sheet

Ceiling hook

Item number: 3450120



Dimensions



Length	120 mm
Dimension L	120 mm
Dimension L1	24 mm

Technical data

Breaking load	0.2 kN
Thread length	24 mm
hook diameter	16 mm
Plastic-covered	no
Material diameter	4.3 mm