

# Technical data sheet

## Fastening clip 823, heavy duty

Item number: 1015498



Fastening clip, double-lobe, 40 mm



**St** Steel

**FT** Hot-dip galvanised

### Master data

Item number	1015498
Type	823 40 FT
Description 1	Fastening clip
Description 2	two lobe
Manufacturer	OBO
Dimension	40mm
Material	Steel
Surface	Hot-dip galvanised
Surface standard	DIN EN ISO 1461
Smallest sales unit	100
Unit of quantity	Piece
Weight	8.46 kg
Weight unit	kg/100 pc.

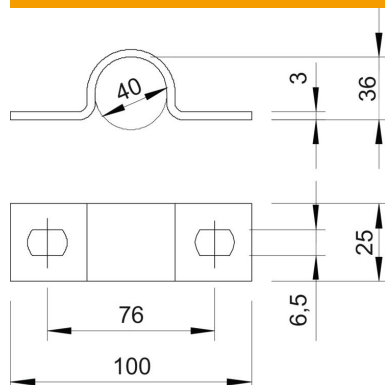
# Technical data sheet

## Fastening clip 823, heavy duty

Item number: 1015498



### Dimensions



Length	100 mm
Width	25 mm
Height	36 mm
Dimension A	100 mm
Dimension B	76 mm
Dimension b	25 mm
Dimension D	40 mm
Dimension d	6.5 mm
Dimension e	10 mm
Dimension H	36 mm
Dimension t	3 mm

### Technical data

Distance to the wall	no
Number of cables/pipes	1
Version for	Two-lobe
Fastening type	Screw hole
For diameter	40
Suitable in fire protection area	no
Halogen-free	yes
Plastic-covered	no
Hole size	6,5 x 10 mm
Material thickness	3 mm
Nominal diameter	40 mm
UV-resistant	yes