

Technical data sheet

Fastening clip 605, medium duty, G

Item number: 1018558



Two lobe fastening clips for cables and pipes.
* Sizes 7 to 12 not suitable for bolt-firing tool.



St Steel

G Electrogalvanized

Master data

| | |
|---------------------|----------------------------|
| Item number | 1018558 |
| Type | 605 55 G |
| Description 1 | Fastening clip |
| Description 2 | two lobe |
| Manufacturer | OBO |
| Dimension | 55mm |
| Material | Steel |
| Surface | Electrogalvanized |
| Surface standard | EN ISO 19598 / EN ISO 4042 |
| Smallest sales unit | 25 |
| Unit of quantity | Piece |
| Weight | 3.84 kg |
| Weight unit | kg/100 pc. |

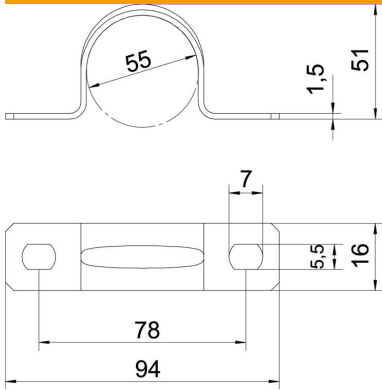
Technical data sheet

Fastening clip 605, medium duty, G

Item number: 1018558



Dimensions



| | |
|-------------|--------|
| Length | 94 mm |
| Width | 16 mm |
| Height | 51 mm |
| Dimension A | 94 mm |
| Dimension B | 78 mm |
| Dimension b | 16 mm |
| Dimension D | 55 mm |
| Dimension d | 5.5 mm |
| Dimension e | 7 mm |
| Dimension H | 51 mm |
| Dimension t | 1.5 mm |

Technical data

| | |
|----------------------------------|------------|
| Distance to the wall | no |
| Number of cables/pipes | 1 |
| Version for | Two-lobe |
| Fastening type | Screw hole |
| For diameter | 55 |
| Suitable in fire protection area | no |
| Halogen-free | yes |
| Plastic-covered | no |
| Hole size | 5,5 x 7 mm |
| Material thickness | 1.5 mm |
| Nominal diameter | 55 mm |
| UV-resistant | yes |