

Technical data sheet

Fastening clip 605, medium duty, G

Item number: 1018205



Two lobe fastening clips for cables and pipes.
* Sizes 7 to 12 not suitable for bolt-firing tool.



St Steel

G Electrogalvanized

Master data

| | |
|---------------------|----------------------------|
| Item number | 1018205 |
| Type | 605 20 G |
| Description 1 | Fastening clip |
| Description 2 | two lobe |
| Manufacturer | OBO |
| Dimension | 20mm |
| Material | Steel |
| Surface | Electrogalvanized |
| Surface standard | EN ISO 19598 / EN ISO 4042 |
| Smallest sales unit | 100 |
| Unit of quantity | Piece |
| Weight | 0.664 kg |
| Weight unit | kg/100 pc. |

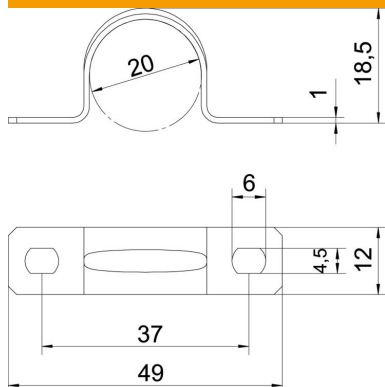
Technical data sheet

Fastening clip 605, medium duty, G

Item number: 1018205



Dimensions



| | |
|-------------|---------|
| Length | 49 mm |
| Width | 12 mm |
| Height | 18.5 mm |
| Dimension A | 49 mm |
| Dimension B | 37 mm |
| Dimension b | 12 mm |
| Dimension D | 20 mm |
| Dimension d | 4.5 mm |
| Dimension e | 6 mm |
| Dimension H | 18.5 mm |
| Dimension t | 1 mm |

Technical data

| | |
|----------------------------------|------------|
| Distance to the wall | no |
| Number of cables/pipes | 1 |
| Version for | Two-lobe |
| Fastening type | Screw hole |
| For diameter | 20 |
| Suitable in fire protection area | no |
| Halogen-free | yes |
| Plastic-covered | no |
| Hole size | 4,5 x 6 mm |
| Material thickness | 1 mm |
| Nominal diameter | 20 mm |
| UV-resistant | yes |