

Technical data sheet

Fastening clip 605, medium duty, G

Item number: 1018132



Two lobe fastening clips for cables and pipes.

* Sizes 7 to 12 not suitable for bolt-firing tool.



St Steel

G Electrogalvanized

Master data

Item number	1018132
Type	605 13 G
Description 1	Fastening clip
Description 2	two lobe
Manufacturer	OBO
Dimension	13mm
Material	Steel
Surface	Electrogalvanized
Surface standard	EN ISO 19598 / EN ISO 4042
Smallest sales unit	100
Unit of quantity	Piece
Weight	0.532 kg
Weight unit	kg/100 pc.

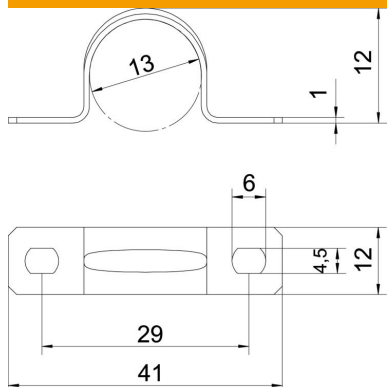
Technical data sheet

Fastening clip 605, medium duty, G

Item number: 1018132



Dimensions



Length	41 mm
Width	12 mm
Height	12 mm
Dimension A	41 mm
Dimension B	29 mm
Dimension b	12 mm
Dimension D	13 mm
Dimension d	4.5 mm
Dimension e	6 mm
Dimension H	12 mm
Dimension t	1 mm

Technical data

Distance to the wall	no
Number of cables/pipes	1
Version for	Two-lobe
Fastening type	Screw hole
For diameter	13
Suitable in fire protection area	no
Halogen-free	yes
Plastic-covered	no
Hole size	4,5 x 6 mm
Material thickness	1 mm
Nominal diameter	13 mm
UV-resistant	yes