

# Technical data sheet

## Profile earth rod with connecting lug

Item number: 5003040



- Cross-profile 50 x 50 x 3 mm
- With connecting strap
- 1 through hole Ø 13 mm
- 2 through holes Ø 11 mm
- Round conductor fastening, e.g. with type 5001 DIN-FT possible
- For the construction of earthing systems, e.g. antenna or earthing of building site distribution boards

**St** Steel

**FT** Hot-dip galvanised

### Master data

Item number	5003040
Type	213 3000 DIN
Description 1	Cross profiled earth rod
Description 2	with connecting strap
Manufacturer	OBO
Dimension	3000mm
Material	Steel
Surface	Hot-dip galvanised
Surface standard	DIN EN ISO 1461
Smallest sales unit	1
Unit of quantity	Piece
Weight	736.4 kg
Weight unit	kg/100 pc.

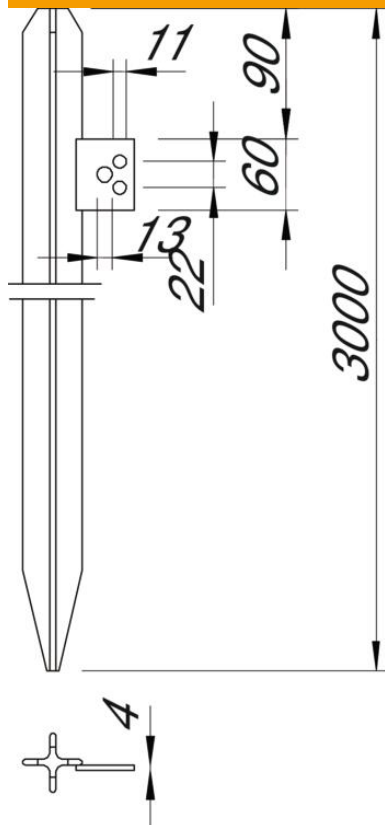
# Technical data sheet

## Profile earth rod with connecting lug

Item number: 5003040



### Dimensions



Length	3,000 mm
Dimension L	3,000 mm

### Technical data

Version for	With connection strap
Profile type	Cross
Connection type	Miscellaneous