

# Technical data sheet

## Profile earthing rod connection with strip steel lug

Item number: 5003288



- With 2 m strip steel section FL 30 x 3.5
- With 2 through holes Ø 11 mm
- For the construction of earthing systems, e.g. antenna or earthing of building site distribution boards

**St** Steel

**FT** Hot-dip galvanised

### Master data

|                     |                          |
|---------------------|--------------------------|
| Item number         | 5003288                  |
| Description 1       | Cross profiled earth rod |
| Description 2       | with steel strip lug     |
| Manufacturer        | OBO                      |
| Dimension           | 2000mm                   |
| Material            | Steel                    |
| Surface             | Hot-dip galvanised       |
| Surface standard    | DIN EN ISO 1461          |
| Smallest sales unit | 1                        |
| Unit of quantity    | Piece                    |
| Weight              | 651.6 kg                 |
| Weight unit         | kg/100 pc.               |

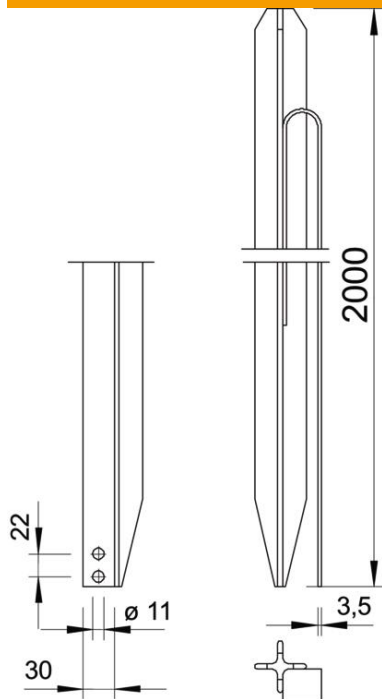
# Technical data sheet

## Profile earthing rod connection with strip steel lug

Item number: 5003288



### Dimensions



|             |          |
|-------------|----------|
| Length      | 2,000 mm |
| Dimension L | 2,000 mm |

### Technical data

|                 |                      |
|-----------------|----------------------|
| Version for     | With strip steel lug |
| Profile type    | Cross                |
| Connection type | Miscellaneous        |