

Technical data sheet

Profile earth rod connection with round conductor lug

Item number: 5003784



- With 2 m round conductor lugs Rd 10
- For the construction of earthing systems, e.g. antenna or earthing of building site distribution boards

St Steel

FT Hot-dip galvanised

Master data

Item number	5003784
Description 1	Cross profiled earth rod
Description 2	with round conductor lug
Manufacturer	OBO
Dimension	2000mm
Material	Steel
Surface	Hot-dip galvanised
Surface standard	DIN EN ISO 1461
Smallest sales unit	1
Unit of quantity	Piece
Weight	610.9 kg
Weight unit	kg/100 pc.

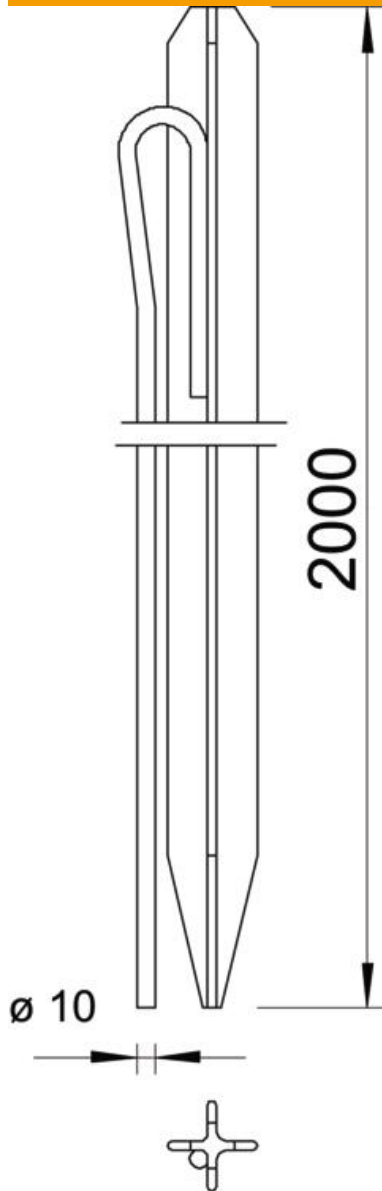
Technical data sheet

Profile earth rod connection with round conductor lug

Item number: 5003784



Dimensions



Length	2,000 mm
Dimension L	2,000 mm

Technical data

Version for	With round conductor lug
Profile type	Cross
Connection type	Miscellaneous