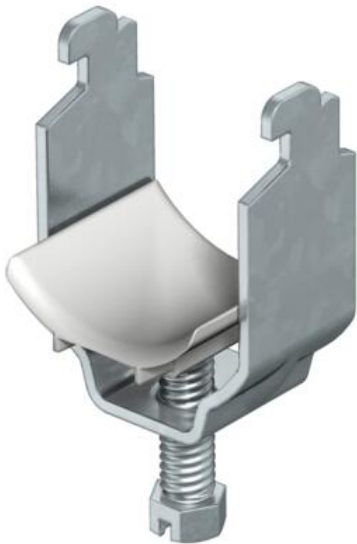


Technical data sheet

Clamp clip, single, plastic pressure trough, FT

Item number: 1163167



Suitable for all C profile rails with slot width 11–12 mm; at least 6.5 mm clear internal height and at least 18.5 mm clear internal width.
Clip and bolt made of hot-dip galvanised steel.
Polypropylene pressure trough, halogen-free, colour light grey RAL 7035.
Version with welding and/or locknuts for use under difficult circumstances and for shake protection on request.



- St** Steel
- FT** Hot-dip galvanised

Master data

Item number	1163167
Description 1	Clamp clip
Manufacturer	OBO
Dimension	12-16mm
Material	Steel
Surface	Hot-dip galvanised
Surface standard	DIN EN ISO 1461
Smallest sales unit	100
Unit of quantity	Piece
Weight	2.75 kg
Weight unit	kg/100 pc.

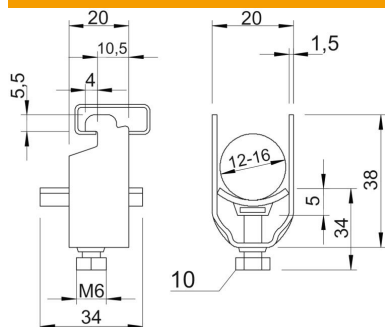
Technical data sheet

Clamp clip, single, plastic pressure trough, FT



Item number: 1163167

Dimensions



Dimension A	20 mm
Dimension B	20 mm
Dimension C	34 mm
Dimension G (mm)	M6
Dimension H	38 mm
Dimension L	34 mm
Dimension t	1.5 mm
Dimension x	5 mm

Technical data

Number of cables/pipes	1
for 1 cable H	38 mm
for 1 cable L	34
for 2 cable H	57 mm
for 2 cable L	47 mm
for 3 cable H	77 mm
for 3 cable L	47 mm
For pipe diameter, max.	16 mm
For pipe diameter, min.	16 mm
for rail with slot width (with interval), max.	12 mm
for rail with slot width (with interval), min.	11 mm
Halogen-free	yes
Max. Tightening torque	3 Nm
With plastic trough	yes
With metal trough	no
Mounting type	Profile rail
Impact-resistant	no
Clamping range D, max.	16 mm
Clamping range D, min.	12 mm
Surface addition	hot galvanised
Material addition	Steel
With counter-trough	no
Material of trough	Plastic
Material quality of trough	Polypropylene