

Technical data sheet

Locknut, metric thread

Item number: 2091658



Locknut to DIN 46319 with metric thread IEC 423.

* Prices according to DEL notation.



CuZn
37 Brass

N Nickel-plated

Master data

Item number	2091658
Type	169 MS M32
Description 1	Locknut
Manufacturer	OBO
Dimension	M32
Material	Brass
Surface	Nickel-plated
Surface standard	
Smallest sales unit	100
Unit of quantity	Piece
Weight	1.016 kg
Weight unit	kg/100 pc.
CO Footprint (GWP) Cradle-to-Gate	0,0284 kg COe / 1 Piece

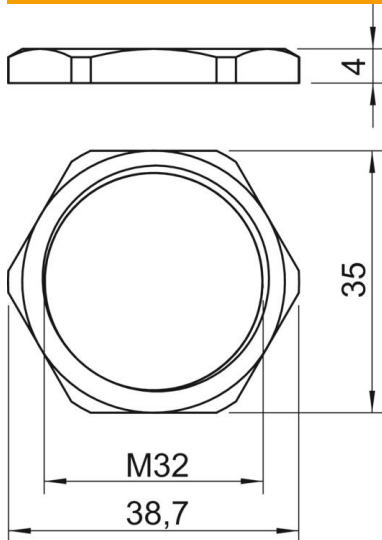
Technical data sheet

Locknut, metric thread

Item number: 2091658



Dimensions



Dimension E	38.7 mm
Dimension L	4 mm

Technical data

Thread	M32_x_1,5
Thread type	Metric
Nominal thread size metric/PG	32
Fibre-glass reinforced	no
Halogen-free	no
Impact-resistant	no
WAF	35