

Technical data sheet

Locknut, metric thread

Item number: 2091623



Locknut to DIN 46319 with metric thread IEC 423.

* Prices according to DEL notation.



CuZn
37 Brass

N Nickel-plated

Master data

| | |
|-----------------------------------|-------------------------|
| Item number | 2091623 |
| Type | 169 MS M20 |
| Description 1 | Locknut |
| Manufacturer | OBO |
| Dimension | M20 |
| Material | Brass |
| Surface | Nickel-plated |
| Surface standard | |
| Smallest sales unit | 100 |
| Unit of quantity | Piece |
| Weight | 0.58 kg |
| Weight unit | kg/100 pc. |
| CO Footprint (GWP) Cradle-to-Gate | 0,0147 kg COe / 1 Piece |

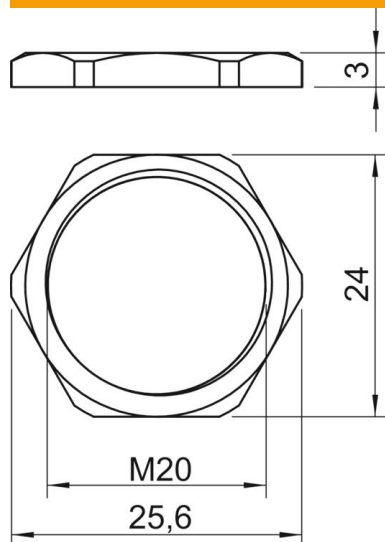
Technical data sheet

Locknut, metric thread

Item number: 2091623



Dimensions



| | |
|-------------|---------|
| Dimension E | 25.6 mm |
| Dimension L | 3 mm |

Technical data

| | |
|-------------------------------|-----------|
| Thread | M20_x_1,5 |
| Thread type | Metric |
| Nominal thread size metric/PG | 20 |
| Fibre-glass reinforced | no |
| Halogen-free | no |
| Impact-resistant | no |
| WAF | 24 |