

Technical data sheet

165 MBG... roof cable holder for flat roofs, black, with concrete

Item number: 5218780



- Closed form with base
- With double conductor holder
- Filling weight 1 kg (frost-resistant concrete)
- Sleeve made of polyethylene, black, UV-resistant and weather-resistant
- Base made of polyamide PA 6, black, UV-resistant and weather-resistant
- Base can be used on almost all roofing felt systems (bitumen, PVC)
- Types 165 MBG...FO: Packed in foil bag

Master data

Item number	5218780
Type	165 MBG-6SO
Description 1	Roof conductor holder
Description 2	for flat roofs
Manufacturer	OBO
Dimension	6mm
Smallest sales unit	12
Unit of quantity	Piece
Weight	106 kg
Weight unit	kg/100 pc.

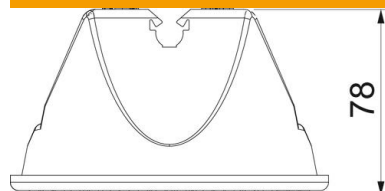
Technical data sheet

165 MBG... roof cable holder for flat roofs, black, with concrete

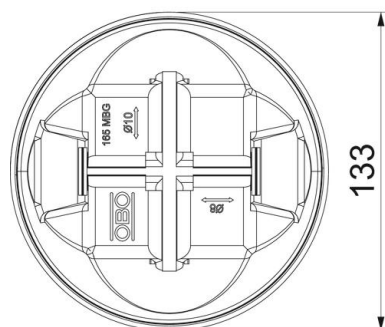
Item number: 5218780



Dimensions



Length 133.5 mm



Technical data

Application	Flat roof
Conductor fastening type	With clip
Conductor diameter, max.	6
Conductor diameter, min.	6
Mounting type	Miscellaneous
Fit	Rd 6 mm
Material of the holder	Plastic
Material of the support	Concrete