

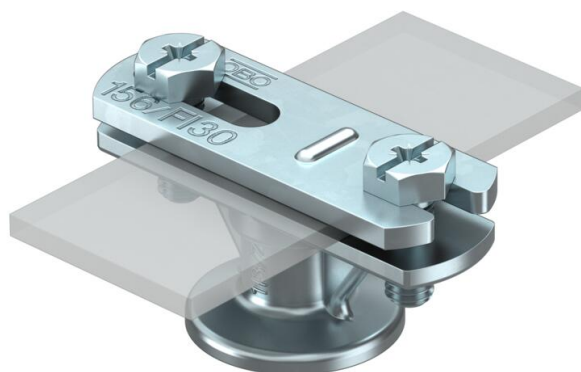
Technical data sheet

Cable bracket for flat conductor



Item number: 5230446

- With female thread M8 or through hole for wood screws
- For flat conductor FL 30
- Sliding over-piece for quick installation



- Zn** Die-cast zinc
- G** Electrogalvanized

Master data

Item number	5230446
Description 1	Cable fixing device
Description 2	for flat conductors
Manufacturer	OBO
Dimension	30mm
Material	Die-cast zinc
Surface	Electrogalvanized
Surface standard	EN ISO 19598 / EN ISO 4042
Smallest sales unit	100
Unit of quantity	Piece
Weight	6.28 kg
Weight unit	kg/100 pc.

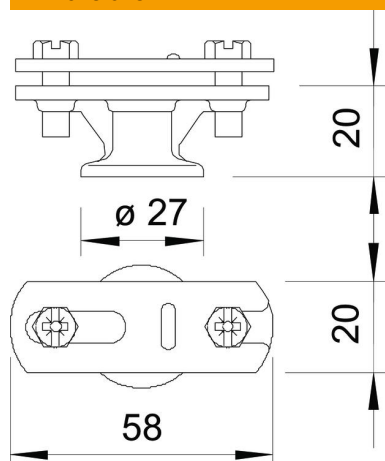
Technical data sheet

Cable bracket for flat conductor

Item number: 5230446



Dimensions



Technical data

Holder fastening type	Drill hole with M-thread
Conductor fastening type	With screw clip
Use in Ex area	yes
High voltage-resistant, insulated version	no
Cable dimensions	30 x 4 mm flat
Material of the holder	Die-cast zinc
Material of the base	Die-cast zinc
Material of the crossbar	Die-cast zinc