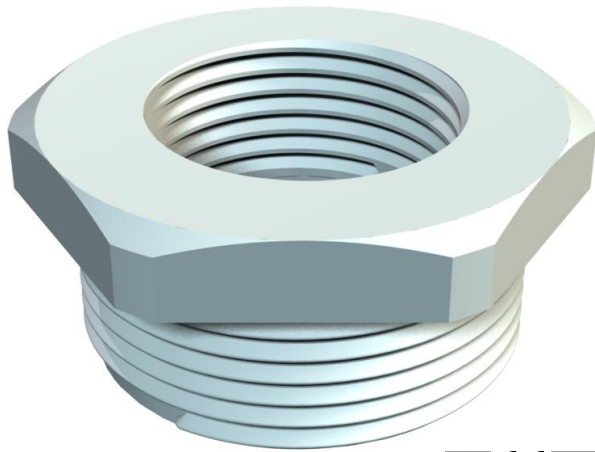


Technical data sheet

Reduction, PG thread

Item number: 2030713



Reduction with PG internal and external thread to DIN 40430 for mounting plastic cable glands on enclosures. Protection class IP54 without additional connecting seal. Protection class up to IP68 possible with additional connecting seal, e.g. O-ring or flat sealing ring.



PA Polyamide

Master data

Item number	2030713
Description 1	Reduction
Manufacturer	OBO
Dimension	PG13,5-PG9
Colour	Light grey; RAL 7035
Material	Polyamide
Smallest sales unit	50
Unit of quantity	Piece
Weight	0.45 kg
Weight unit	kg/100 pc.
CO Footprint (GWP) Cradle-to-Gate	0,0171 kg COe / 1 Piece

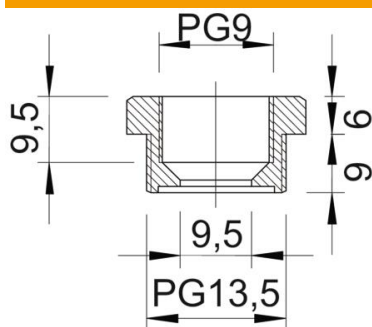
Technical data sheet

Reduction, PG thread

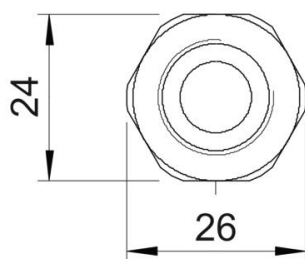
Item number: 2030713



Dimensions



Dimension D	9.5 mm
Dimension E	26 mm
Dimension L1	9 mm
Dimension L2	6 mm
Dimension L3	9.5 mm



Technical data

explosion-proof	no
Thread type: External thread	PG
Thread type: Internal thread	PG
Thread length	9 mm
Thread dimension, PG, external	13.5
Thread dimension, PG, internal	9
Halogen-free	yes
WAF	24
Nickel-plated	no