

Technical data sheet

Cone cable gland, PG thread, light grey

Item number: 2038438



Standard cable gland, shape A, to DIN 46320 with simple NR/SBR sealing ring
Pg connection thread to DIN 40430

Protection rating: With connection thread sealing ring IP65, without connection
thread sealing ring IP54.
Impact-resistant



PS Polystyrene

Master data

| | |
|---------------------|----------------------|
| Item number | 2038438 |
| Description 1 | Cable gland |
| Description 2 | with locknut |
| Available from | 28.02.2019 |
| Manufacturer | OBO |
| Dimension | PG21 |
| Colour | Light grey; RAL 7035 |
| Material | Polystyrene |
| Smallest sales unit | 50 |
| Unit of quantity | Piece |
| Weight | 2.106 kg |
| Weight unit | kg/100 pc. |

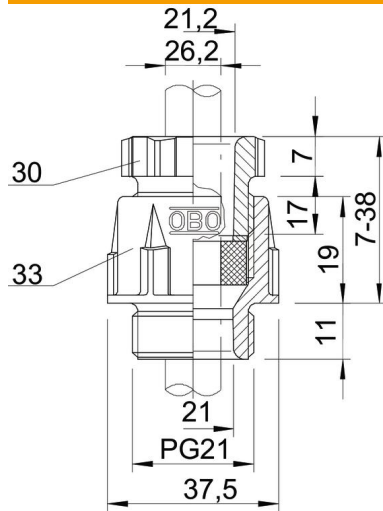
Technical data sheet

Cone cable gland, PG thread, light grey



Item number: 2038438

Dimensions



| | |
|-------------------|---------|
| Dimension D2 | 37.5 mm |
| Dimension D3 | 21.2 mm |
| Dimension D4 | 21 mm |
| Dimension E1 (mm) | 37.5 mm |
| Dimension E2 | 21.2 mm |
| Dimension E3 | 39 mm |
| Dimension L max. | 38 mm |
| Dimension L min. | 7 mm |
| Dimension L1 | 11 mm |
| Dimension L2 | 19 mm |
| Dimension L3 | 7 mm |
| Dimension L4 | 17 mm |

Technical data

| | |
|-----------------------------------|--------------|
| Type of seal | Sealing ring |
| Version for | Straight |
| Bend protection | no |
| Sealing area D, max. | 18 mm |
| Sealing area D, min. | 14 mm |
| explosion-proof | no |
| For Ex zone | Without |
| For Ex zone gas | Without |
| For Ex zone dust | Without |
| Thread | Pg 21 |
| Thread type | PG |
| Nominal thread size | 21 |
| Fibre-glass reinforced | no |
| Halogen-free | yes |
| Sealing insert, multiple | no |
| With locknut | no |
| Impact-resistant | no |
| WAF 1 | 33 mm |
| WAF 2 | 30 mm |
| WAF 3 | 36 mm |
| Protection rating | IP65 |
| Splittable gland | no |
| Permitted temperature range, max. | 65 °C |
| Permitted temperature range, min. | -20 °C |
| Strain relief option | no |